

smartglass

55 Southeast 2nd Avenue, Suite 211
Delray Beach, Florida 33444

"KELLER minimal windows"

Insulated Sliding Glass Window/Door
"NON-IMPACT"

GENERAL NOTES

1. This product has been evaluated and is in compliance with the 2010 Florida Building Code (FBC) structural requirements excluding the "High Velocity Hurricane Zone" (HVHZ).
2. Product anchors shall be as listed and spaced as shown on details. Anchor embedment to base material shall be beyond wall dressing or stucco.
3. When used in areas requiring wind borne debris protection this product is required to be protected with an impact resistant covering that complies with Section 1609.1.2 of the FBC.
4. For 2x stud framing construction, anchoring of these units shall be the same as that shown for 2x buck masonry construction.
5. Site conditions that deviate from the details of this drawing require further engineering analysis by a licensed engineer or registered architect.

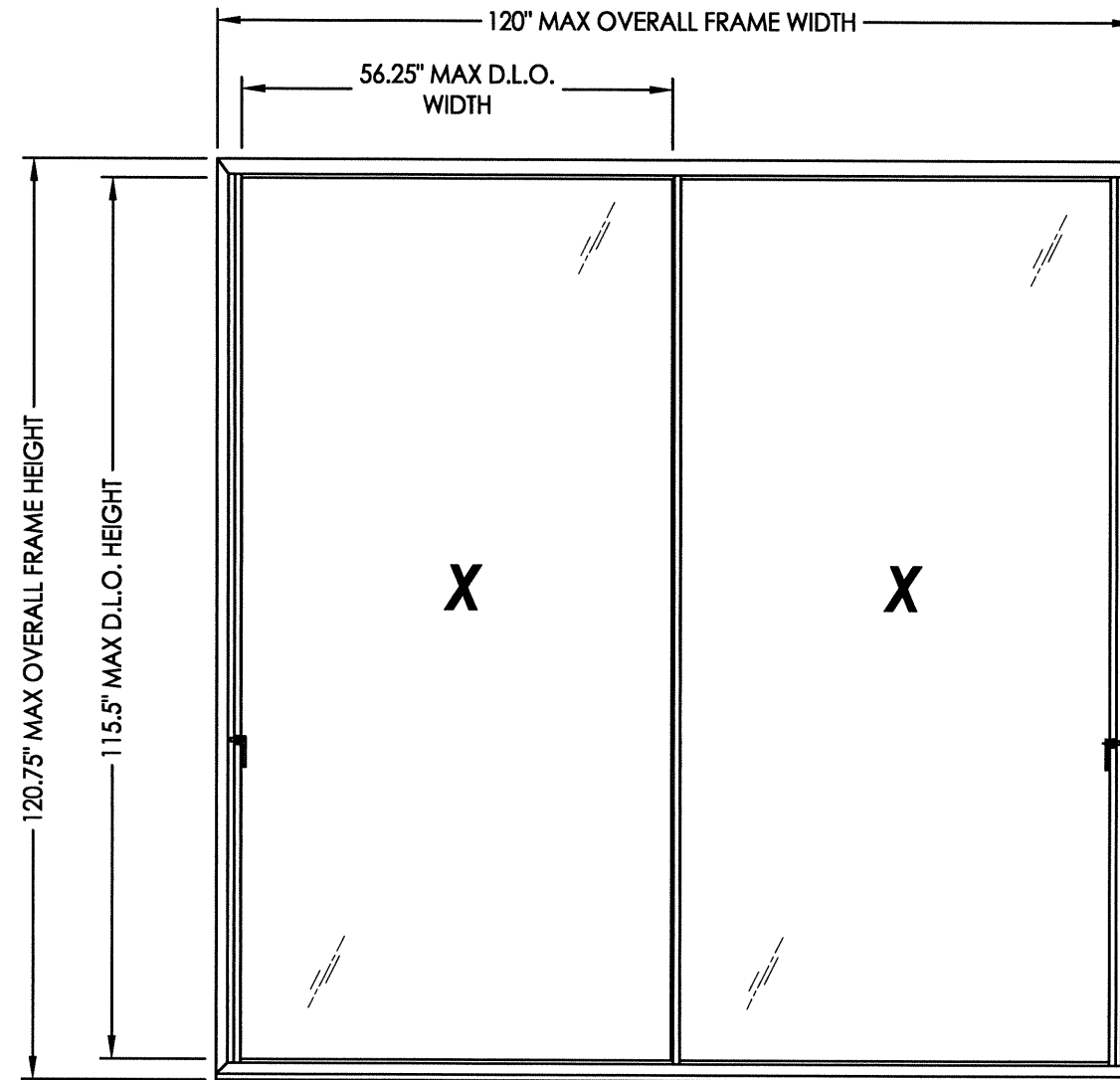


TABLE OF CONTENTS	
SHEET#	DESCRIPTION
1	Typical elevations, design pressures and general notes
2	Vertical cross sections
3	Horizontal cross sections
4	Buck and frame anchoring
5	Bill of materials, components and glazing detail

OVERALL FRAME DIMENSION	OVERALL D.L.O. DIMENSION	GLASS TYPE	DESIGN PRESSURE (PSF)		DESIGN PRESSURE (PSF) W/ REINFORCEMENT	
			POSITIVE	NEGATIVE	POSITIVE	NEGATIVE
120.0" x 120.75"	56.25" x 115.5"	G1	+30.0	-35.0	+35.0	-35.0
120.0" x 108.75"	56.25" x 103.5"	G1	+33.3	-38.8	+38.8	-38.8
120.0" x 96.75"	56.25" x 91.5"	G1	+37.5	-43.7	+43.7	-43.7

Documents Prepared By:

RW BUILDING CONSULTANTS, INC.
P.O. Box 230 Vairico FL 33595
Phone No.: 813.659.9197
Florida Board of Professional Engineers
Certificate Of Authorization No. 9813
6-22-12
Lyndon F. Schmidt, P.E. No. 43409

PRODUCT: SMARTGLASS

PART OR ASSEMBLY:
TYPICAL ELEVATION, DESIGN PRESSURES & GENERAL NOTES

REVISIONS

NO. DATE BY

DATE: 6/18/12

SCALE: N.T.S.

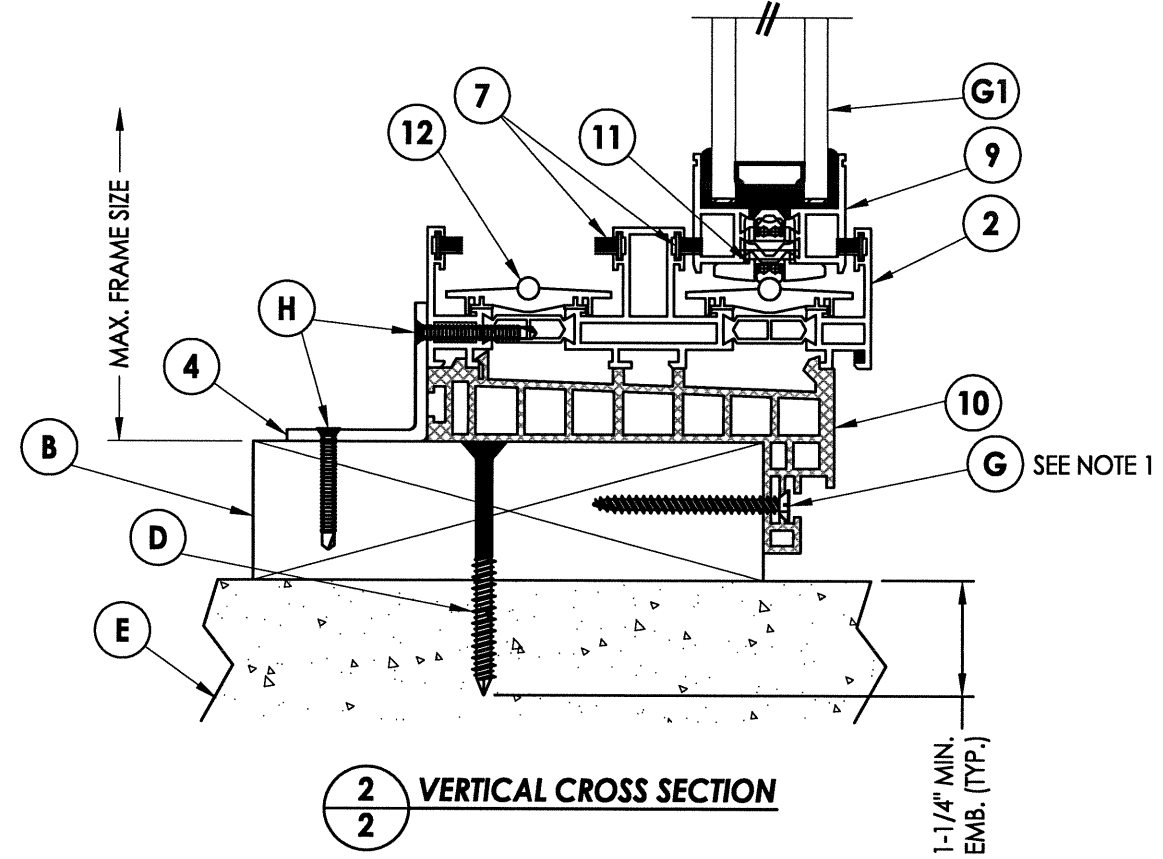
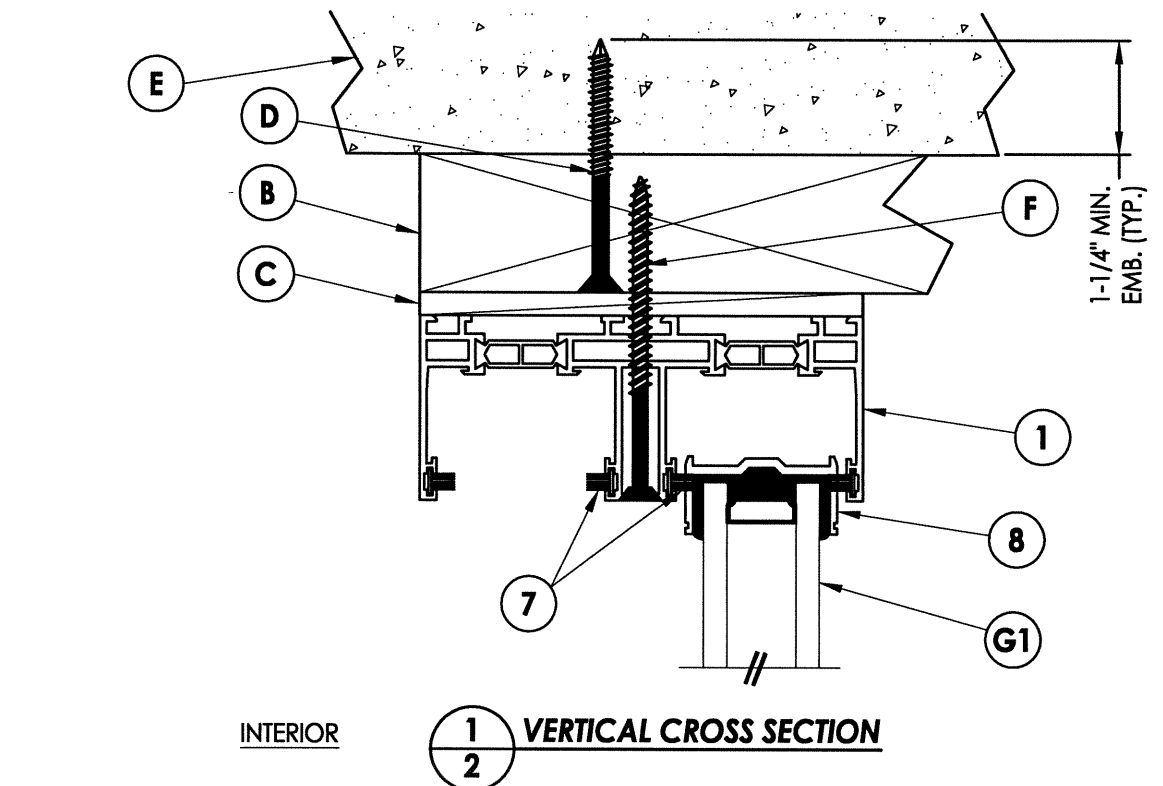
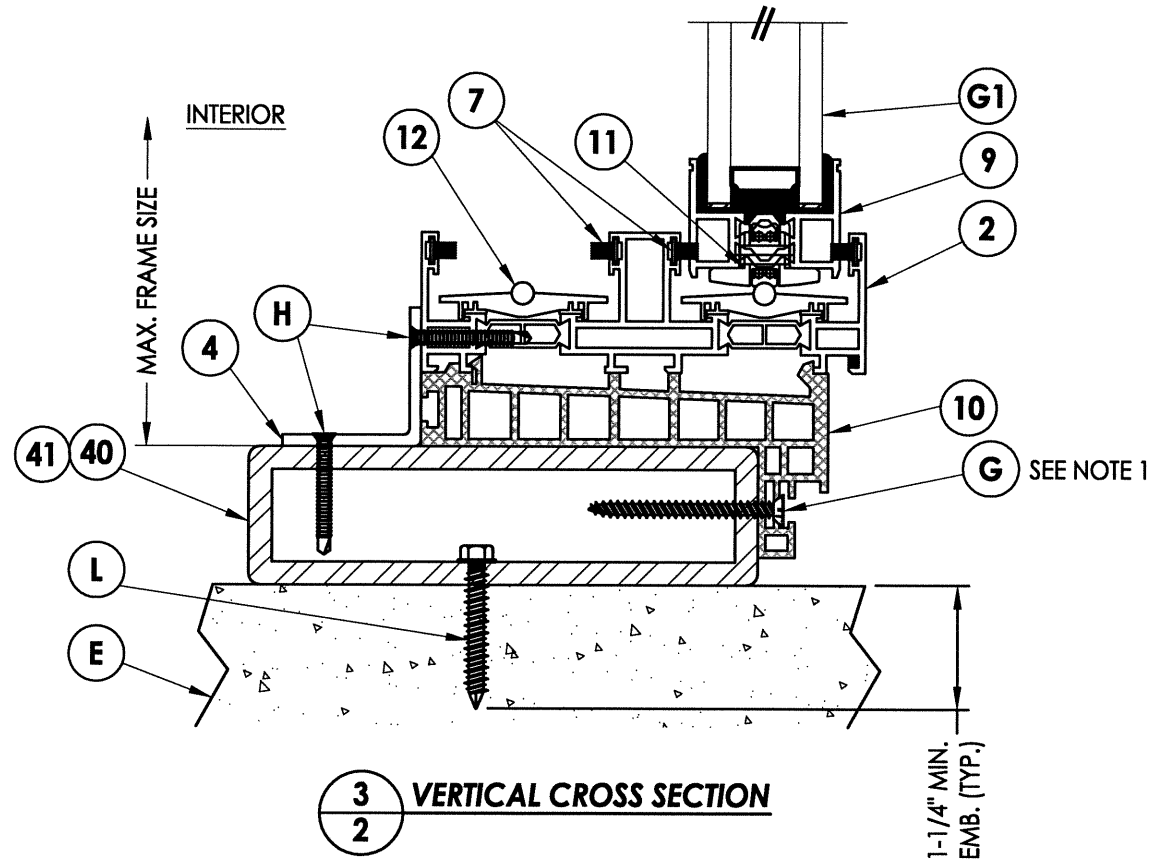
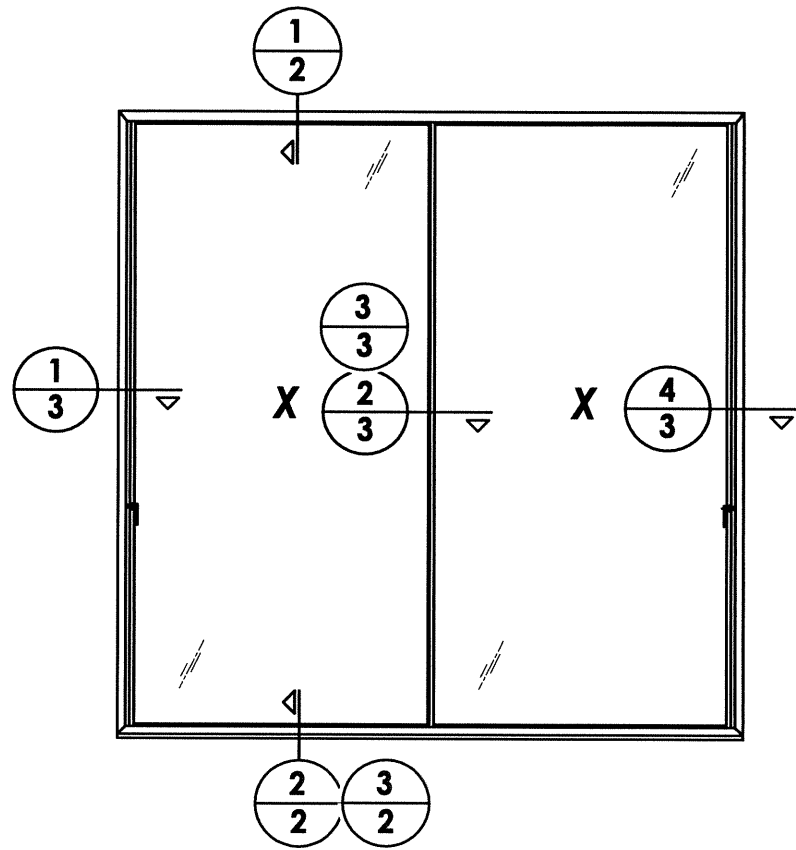
DWG. BY: JK

CHK. BY: LFS

DRAWING NO.:

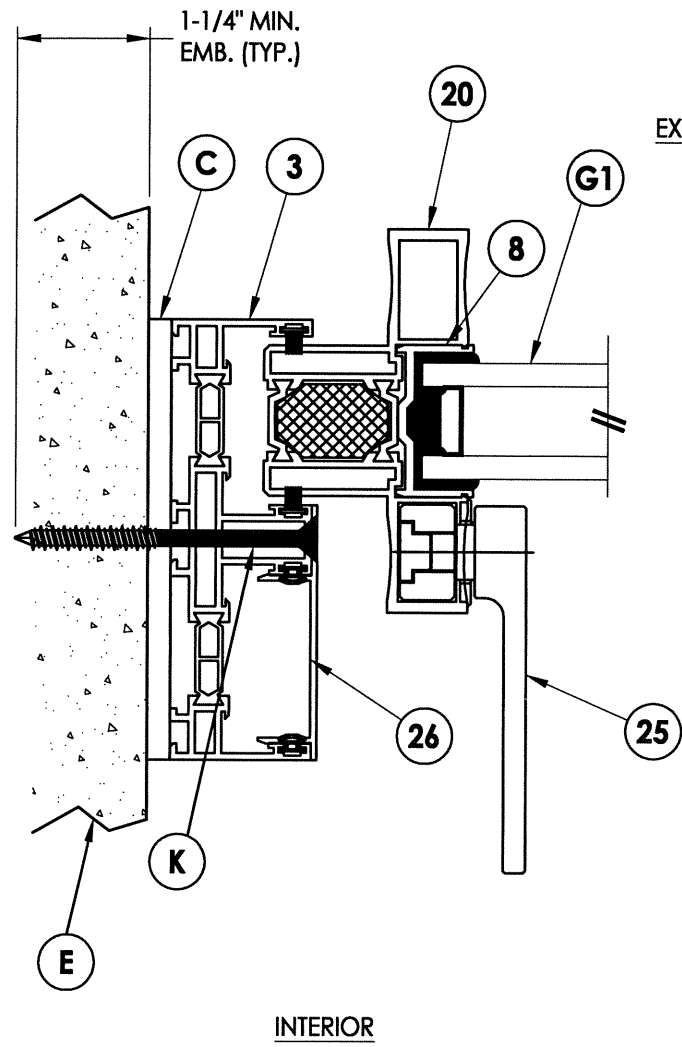
FL-15701.1

SHEET 1 OF 5

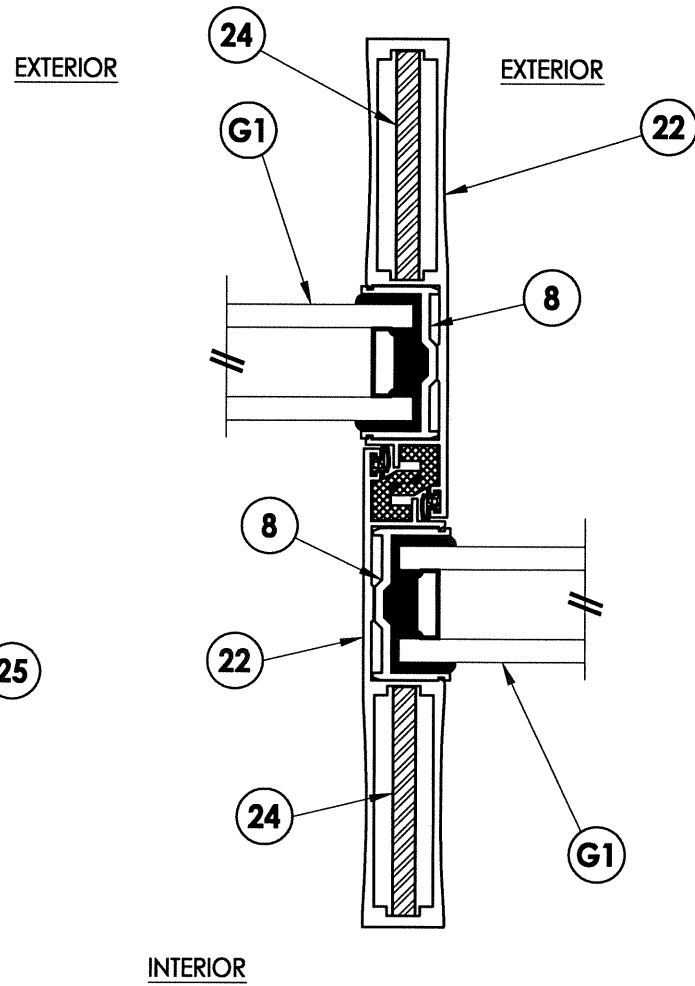


NOTE:
 1. Item #G located 1-1/2" from each and 1-1/2" o.c. thereafter.

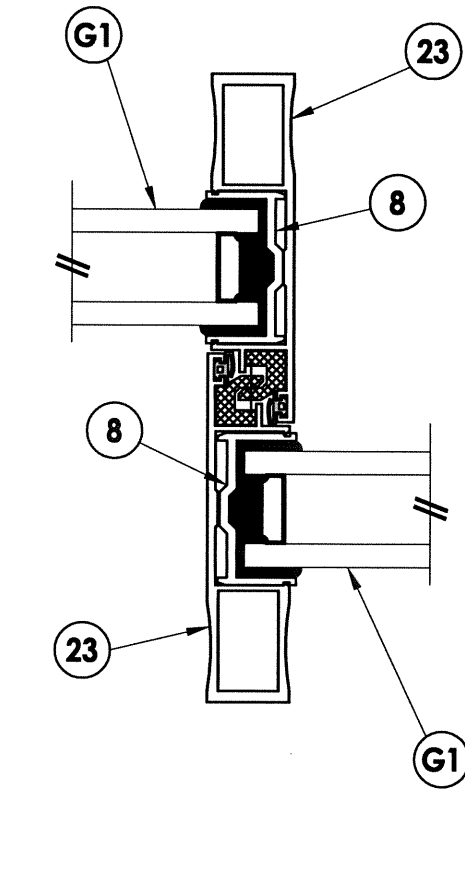
Documents Prepared By:		RW BUILDING CONSULTANTS, INC. P.O. Box 230 Vairico FL 33595 Phone No.: 813.659.9197 Florida Board of Professional Engineers Certificate Of Authorization No. 9813 LFS 6.22.12 Lyndon F. Schmidt, P.E. No. 43409	
PRODUCT:	SMARTGLASS	PART OR ASSEMBLY: VERTICAL CROSS SECTIONS	
NO.	DATE	REVISIONS	
			BY
DATE:	6/18/12		
SCALE:	N.T.S.		
DWG. BY:	JK		
CHK. BY:	LFS		
DRAWING NO.:	FL-15701.1		
SHEET	2	OF 5	



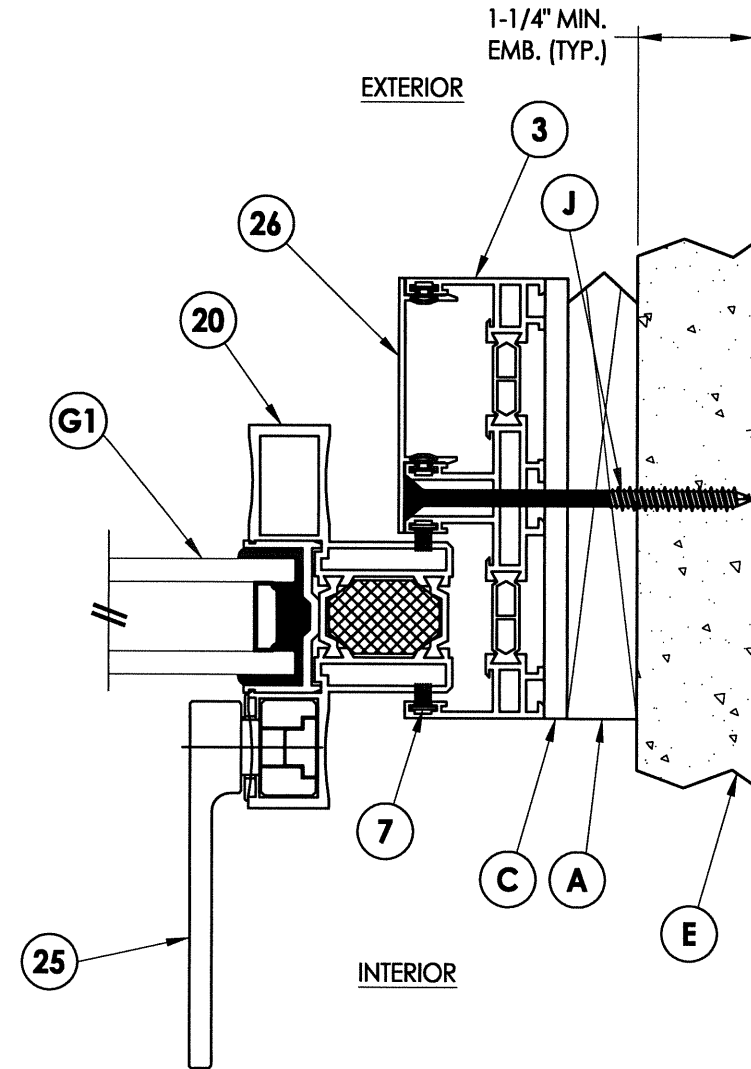
1 HORIZONTAL CROSS SECTION
3 Shown Direct to Masonry



2 HORIZONTAL CROSS SECTION
3 w/ Reinforcement



3 HORIZONTAL CROSS SECTION
3 Shown W/ 1x Buck



4 HORIZONTAL CROSS SECTION
3 Shown W/ 1x Buck

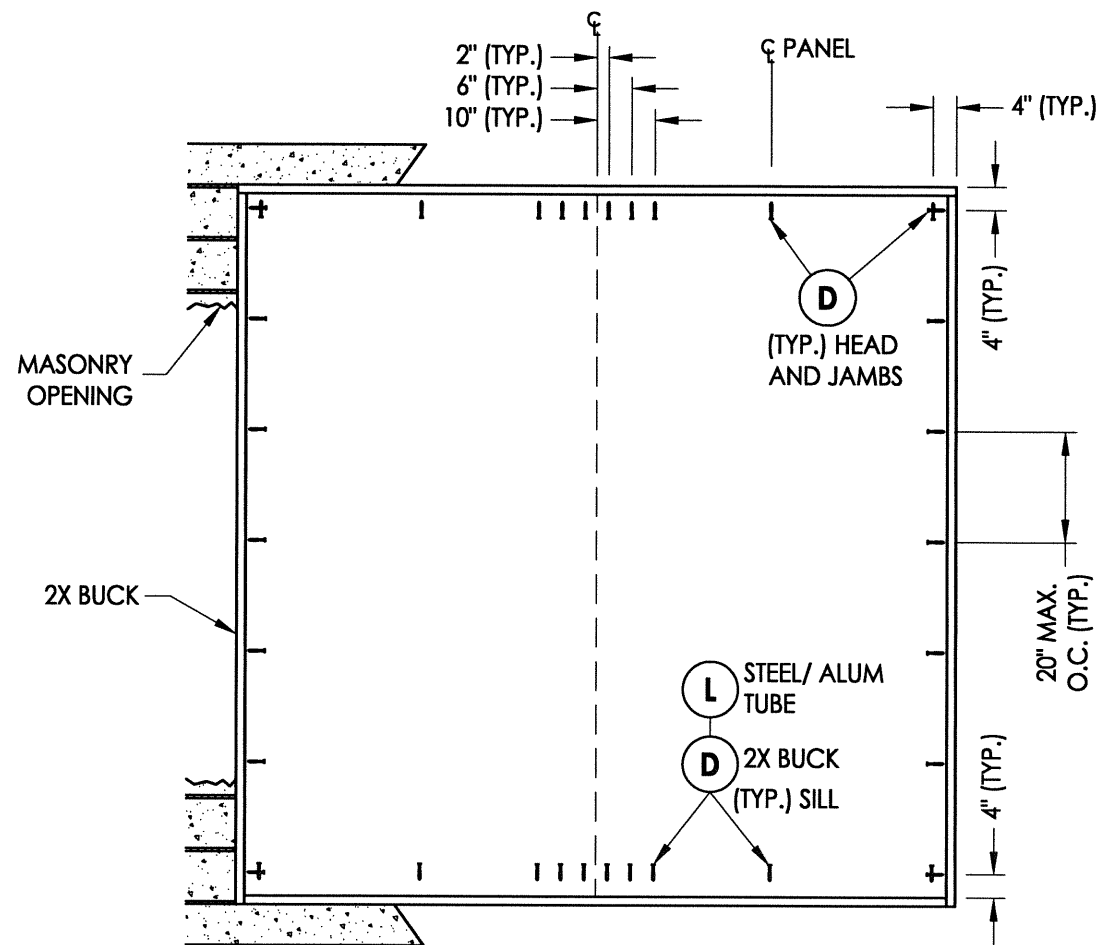
Documents Prepared By:
RW BUILDING CONSULTANTS, INC.
 P.O. Box 230 Vairico FL 33595
 Phone No.: 813.659.9197
 Florida Board of Professional Engineers
 Certificate Of Authorization No. 9813
 1782 6.22.12
 Lyndon F. Schmidt, P.E. No. 43409

PRODUCT: SMARTGLASS
 PART OR ASSEMBLY: HORIZONTAL CROSS SECTIONS

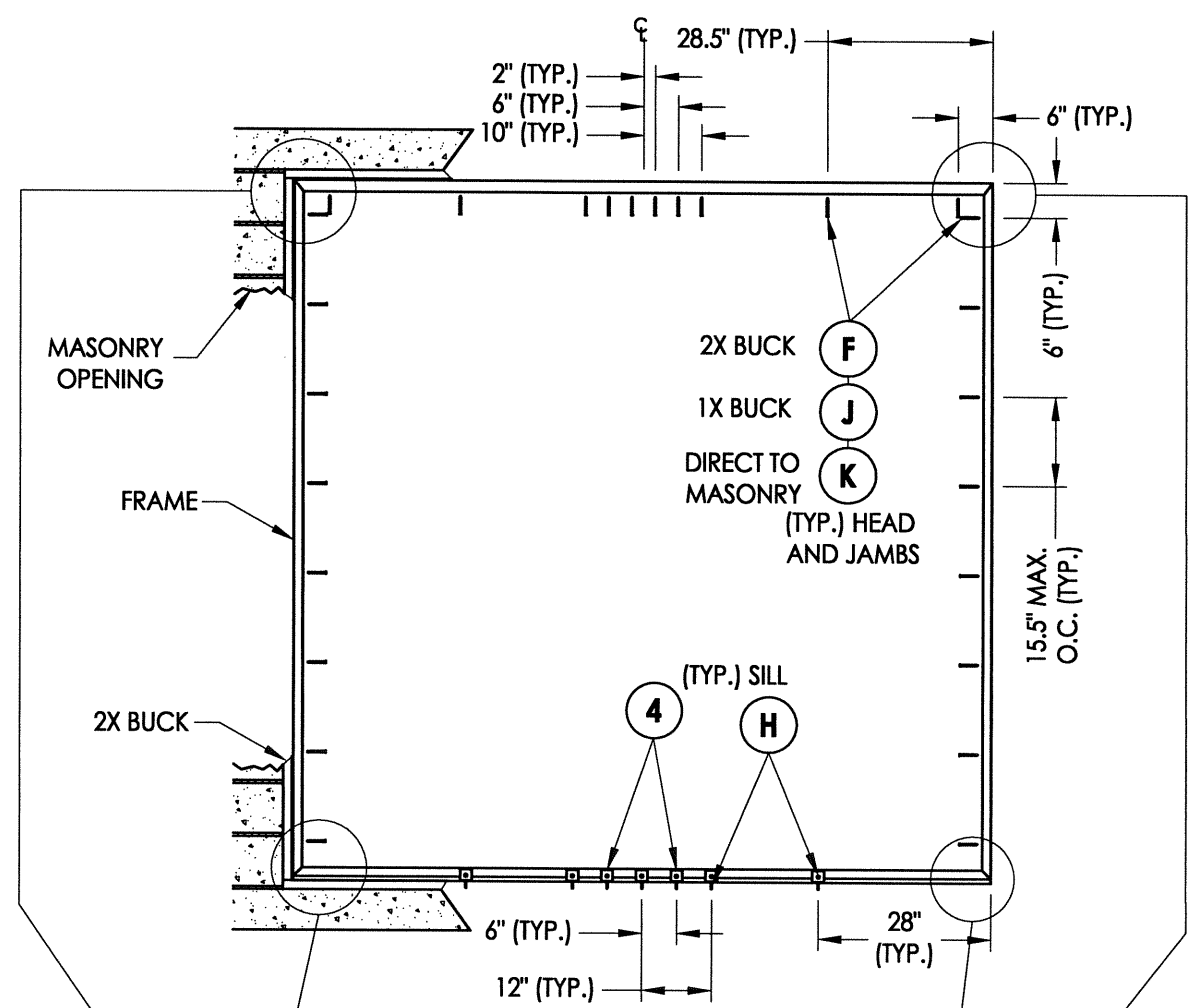
NO.	DATE	BY

DATE: 6/18/12
 SCALE: N.T.S.
 DWG. BY: JK
 CHK. BY: LFS
 DRAWING NO.: FL-15701.1
 SHEET 3 OF 5

R:\VA - Projects\Project Folders\Proj 1601 - 1700\PF 1674\D. RWBC Drawings\FL-15701.dwg, 4-1



BUCK ANCHORING

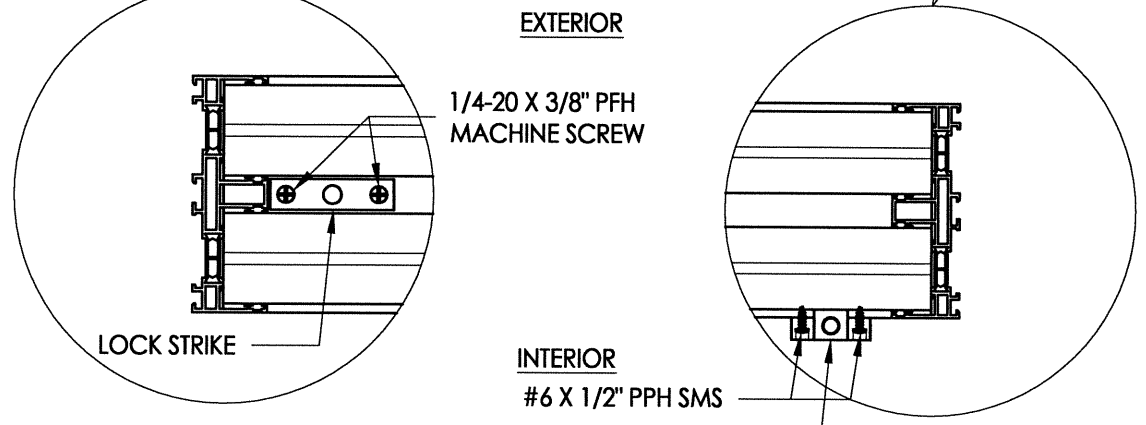


FRAME ANCHORING

CONCRETE ANCHOR NOTES:

1. Substitution of equal concrete anchors from a different supplier may have different edge distance and center distance requirements.
2. Concrete anchor locations at the corners may be adjusted to maintain the min. edge distance to mortar joints. If concrete anchor locations noted as "MAX. ON CENTER" must be adjusted to maintain the min. edge distance to mortar joints, additional concrete anchors may be required to ensure the "MAX. ON CENTER" dimensions are not exceeded.
3. Concrete anchor table:

ANCHOR TYPE	ANCHOR SIZE	MIN. EMBEDMENT	MIN. CLEARANCE TO MASONRY EDGE	MIN. CLEARANCE TO ADJACENT ANCHOR
ITW	1/4"	1-1/4"	2-1/2"	3"
ELCO	1/4"	1-1/4"	1"	4"



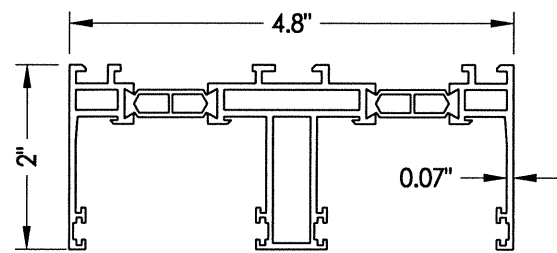
Documents Prepared By: R.W. BUILDING CONSULTANTS, INC.
 P.O. Box 230 Valrico FL 33595
 Phone No.: 813.659.9197
 Florida Board of Professional Engineers
 Certificate Of Authorization No. 9813
 L7-2K 6-22-12
 Lyndon F. Schmidt, P.E. No. 43409

PRODUCT: SMARTGLASS	BY:
PART OR ASSEMBLY: BUCK AND FRAME ANCHORING	DATE:
NO.	DATE
	REVISIONS
DATE: 6/18/12	
SCALE: N.T.S.	
DWG. BY: JK	
CHK. BY: LFS	
DRAWING NO.: FL-15701.1	
SHEET 4 OF 5	

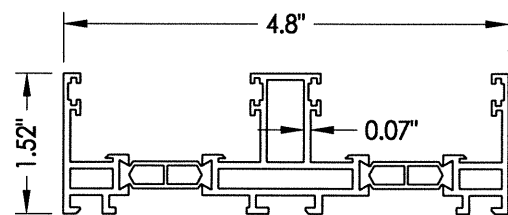
© 2012 R.W. BUILDING CONSULTANTS INC.

BILL OF MATERIALS

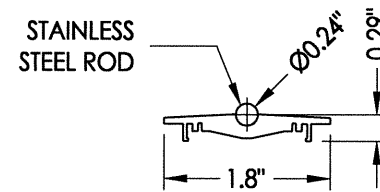
ITEM #	DESCRIPTION	MATERIAL
A	1X BUCK SG >= 0.55	WOOD
B	2X BUCK SG >= 0.55	WOOD
C	1/4" MAX. SHIM SPACE	-
D	1/4" X 2-3/4" ELCO OR ITW PFH CONCRETE SCREW	STEEL
E	MASONRY - 3,192 PSI MIN. CONCRETE CONFORMING TO ACI 301 OR HOLLOW BLOCK CONFORMING TO ASTM C90	-
F	#10 X 3-1/2" PFH SMS	STEEL
G	#10 X 2" PFH SMS	STEEL
H	#8 X 1-1/2" PFH SELF DRILLING SMS	STEEL
J	1/4" X 4" ELCO OR ITW PFH CONCRETE SCREW	STEEL
K	1/4" X 3-1/4" ELCO OR ITW PFH CONCRETE SCREW	STEEL
L	1/4" X 1-1/2" ELCO OR ITW HH CONCRETE SCREW	STEEL
1	HEAD TRACK	6066-T66 ALUM
2	SILL TRACK	6066-T66 ALUM
3	JAMB	6066-T66 ALUM
4	1.5" X 1.5" L BRACKET (MODEL N285-510 BY National Mfg.)	STEEL
7	WEATHERSTRIPPING	-
8	TOP RAIL AND STILE	6066-T66 ALUM
9	BOTTOM RAIL	6066-T66 ALUM
10	BOTTOM FLANGE	PVC
11	ROLLER ASSEMBLY (BY KELLER)	-
12	ROLLER TRACK ASSEMBLY (BY KELLER)	-
20	HANDLE BAR	6066-T66 ALUM
22	MEETING STILE	6066-T66 ALUM
23	MEETING STILE	6066-T66 ALUM
24	REINFORCEMENT	SS
25	LOCK MECHANISM (BY KELLER)	-
26	JAMB COVER	6066-T66 ALUM
40	1.5" X 5.5" MIN. TUBE (1/4" WALL)	6063-T6 ALUM
41	1.5" X 5.5" MIN. TUBE (1/4" WALL)	A500 STEEL



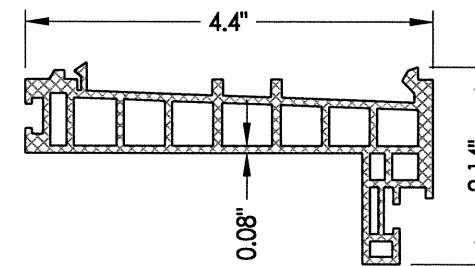
1 HEAD TRACK



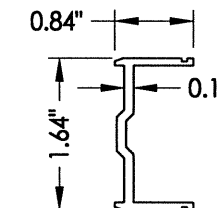
2 SILL TRACK



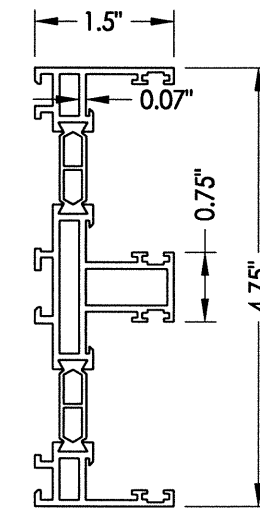
12 ROLLER TRACK



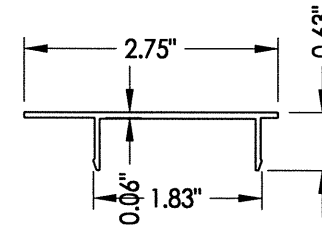
10 BOTTOM FLANGE



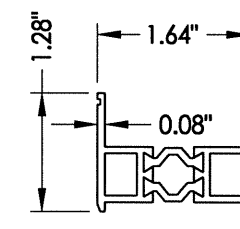
8 TOP RAIL & STILE



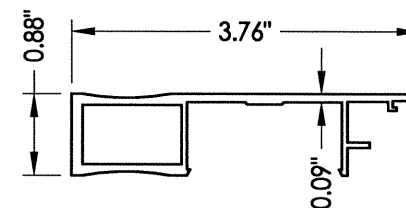
3 JAMB



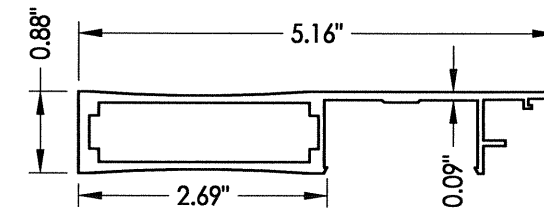
26 JAMB COVER



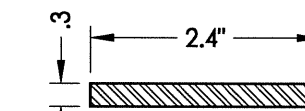
9 BOTTOM RAIL



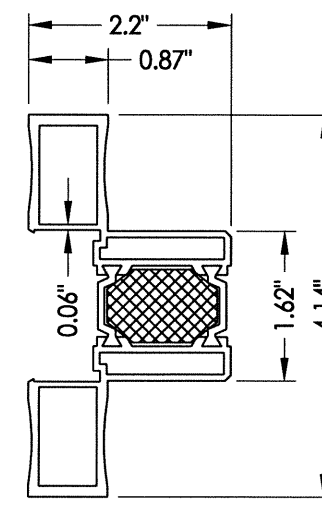
23 MEETING STILE



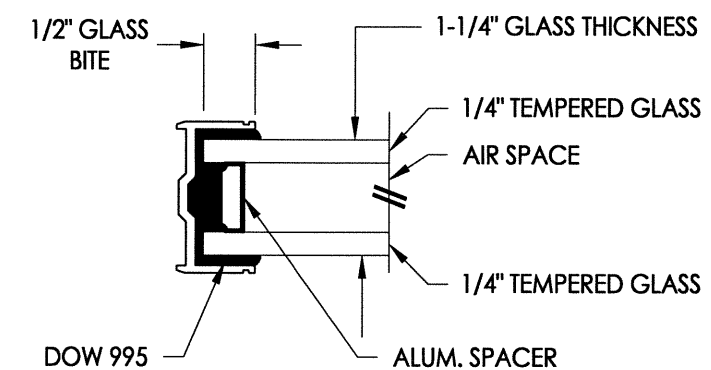
22 MEETING STILE



24 REINFORCEMENT BAR
Full height



20 HANDLE BAR



G1 GLAZING DETAIL

PRODUCT: SMARTGLASS

PART OR ASSEMBLY:
BILL OF MATERIALS, COMPONENTS
AND GLAZING DETAIL

NO.	DATE	REVISIONS	BY

DATE:	6/18/12
SCALE:	N.T.S.
DWG. BY:	JK
CHK. BY:	LFS
DRAWING NO.:	FL-15701.1
SHEET	5 OF 5

RW BUILDING CONSULTANTS, INC.
P.O. Box 230 Vairico FL 33595
Phone No.: 813.659.9197
Florida Board of Professional Engineers
Certificate Of Authorization No. 98113
Lyndon F. Schmidt, P.E. No. 43409